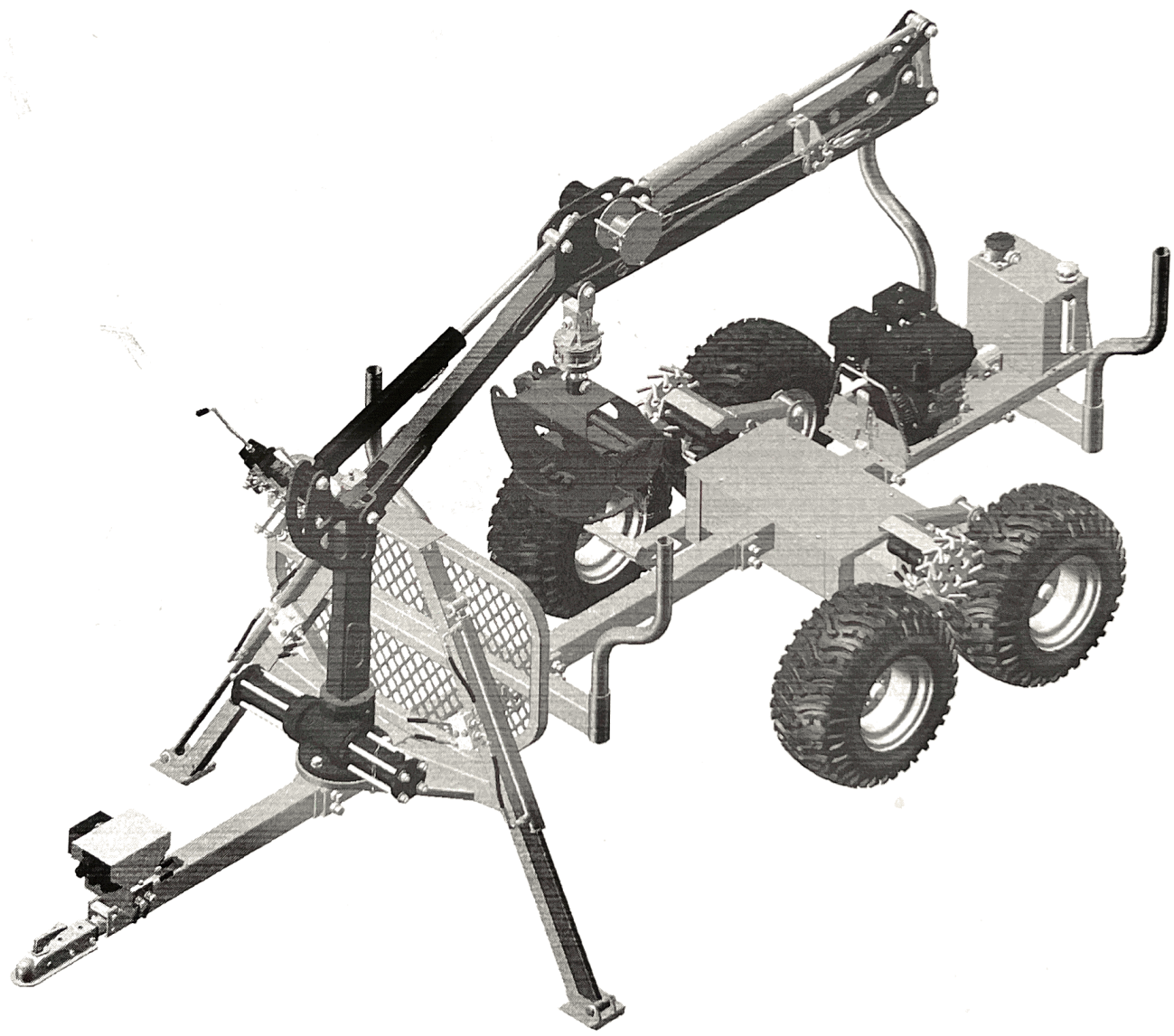


Owner's Manual

Crane 350



Introduction

Before start use the trailer, check the trailer for damage, make yourself familiar with the trailer and all essential part read this introduction manual step by step.

Start up the hydraulic unit and run it on a low speed, and try all hydraulic function without load and get use the controls, increase the speed slowly and start use the functions until you feel you are in control of the functions.

Common rules and safety

- Be assure that all instruction is followed.
- Only trained or experiences driver handle the trailer, never let under age handle the trailer.
- It's prohibited to have passenger on the trailer.
- Do not overload the vehicle against rules and regulations that the total weight or maximum load of the vehicle or trailer exceeds.
- Keep the center of gravity of the load over the wheels of the trailer.
- Do not exceed maximum speed 40km/h on flat roads, off road use common sense.
- And do not drive over sharp edges or in holes, that can damage wheels and the 4WD.
- When driving in ascent and descent, do not use frame steering be very gently and drive slowly and drive as straight as possible up or down hill never crossways and in wet condition that easily can make the wagon or vehicle to turn over sideways with heavy injury even death for people and big damages on equipment.
- Keep always a watch on the vehicle and trailer when any of the engines is running.
- Never use a trailer, and grease all points every second day of use or before long time with usage, control oil level continually.

Table of Contents

Specification.....	3
Crane 350 Installation Instruction.....	4
Crane 350-II 4x4 Wheel-Drive System.....	9
Hydraulic Winch (option).....	10
Application.....	10
Multi-Control Valves.....	11
Service and Maintenance.....	12
Fault Diagnosis and Rule Out.....	13
Exploded View.....	14

Thank you for buying Crane 350. We are continuously improving our quality, design and products range to satisfy customer demands

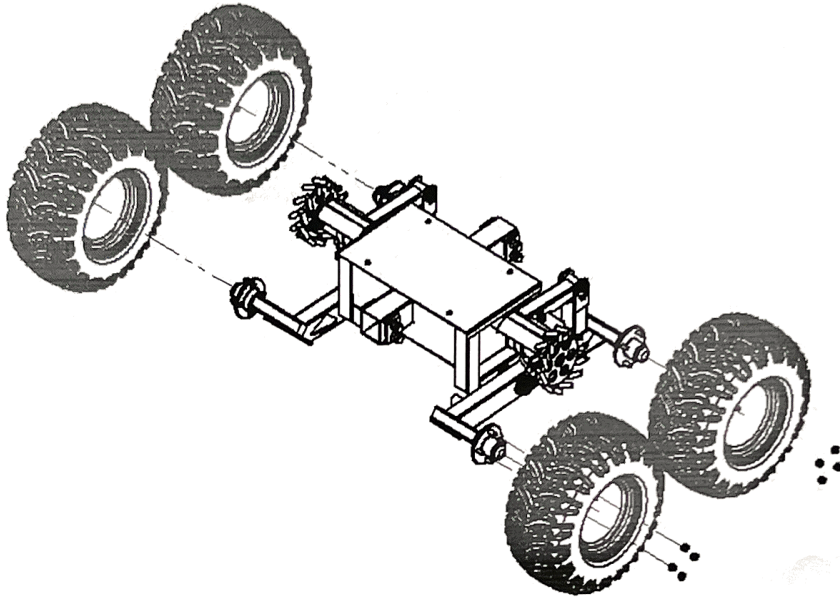
Crane Specification

Crane 350, mounted in the rear of ATVs or tractors, works as forest and farm machine. There are trailer, crane, hydraulic system, engine workshop etc. in crane. Option: hydraulic winch, hydraulic tipping box and bucket

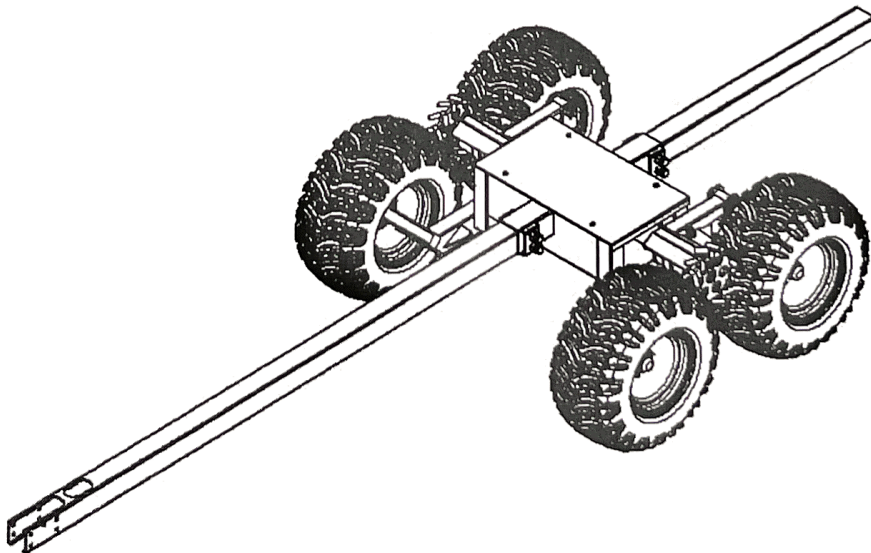
Items	Technical Data
Gas Engine	6.5HP electric and pull start, adjustable engine speed:1400- 3800rpm
Oil Pump	16Mpar, 3.4ML/R
Hydraulic System	Multi-Control Valves functions: A. Arm access B. Grappling movement: rotating, open and close, Lifting capacity of Max. reach: 200kg C. Supporting legs adjustable in height of 535mm D. Wheel drive driven by two pieces of orbital hydraulic motor E. Boom rotation 45°left and right (safely) when the beam in the middle. rotating 90°left and right (maximum)
Working Temperature	80C~-30°C
Trailer Dimension	Trailer weight(kg):260 Base between two supporting legs(m):1.6 Max. loading capacity(kg): 1500 Tire size: 22x11-10
Crane Spec.	Dimension including trailer (LWHm):3.65x1.1x1.4 Max. lifting height(m):4.5 Arm length(m): 3.5 Gross weight(kg): Crane 350-I: 580 Crane 350- II: 630

Installation Instruction

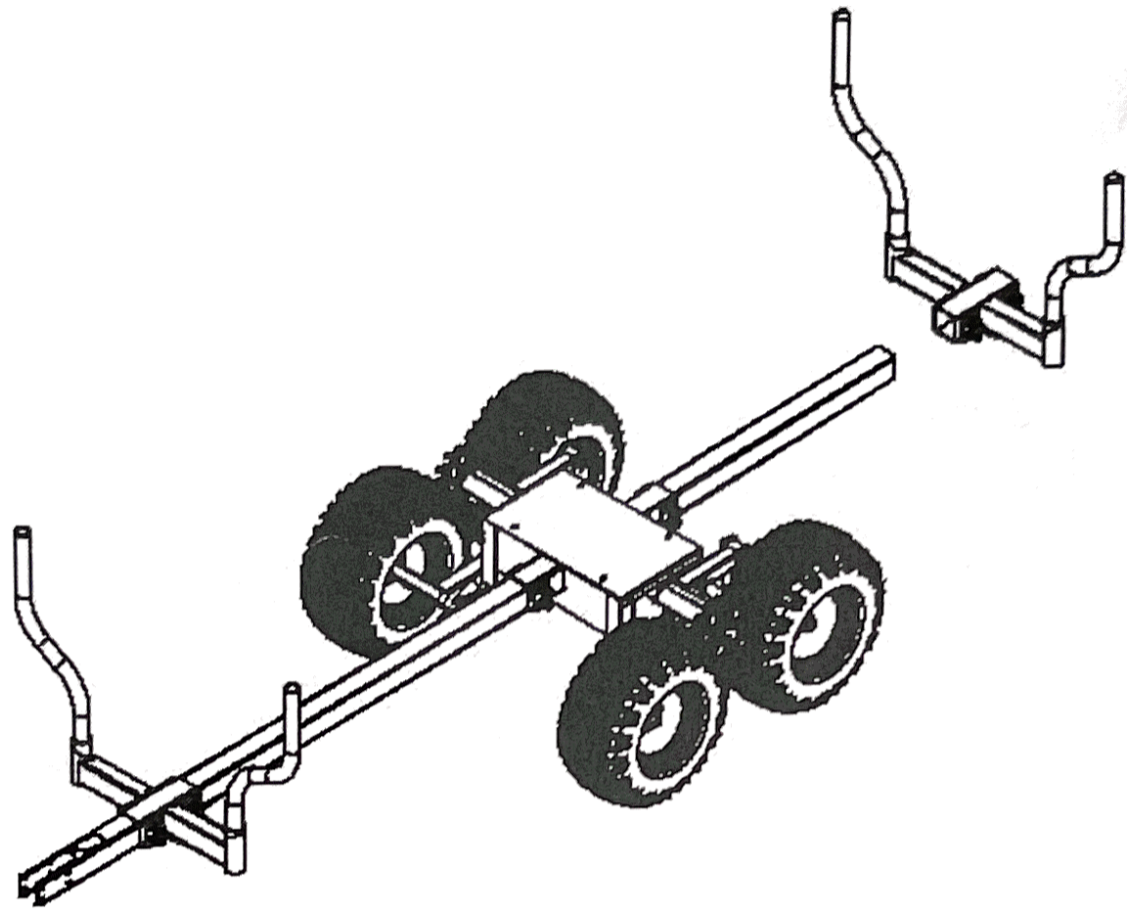
Step 1: Fix on wheels



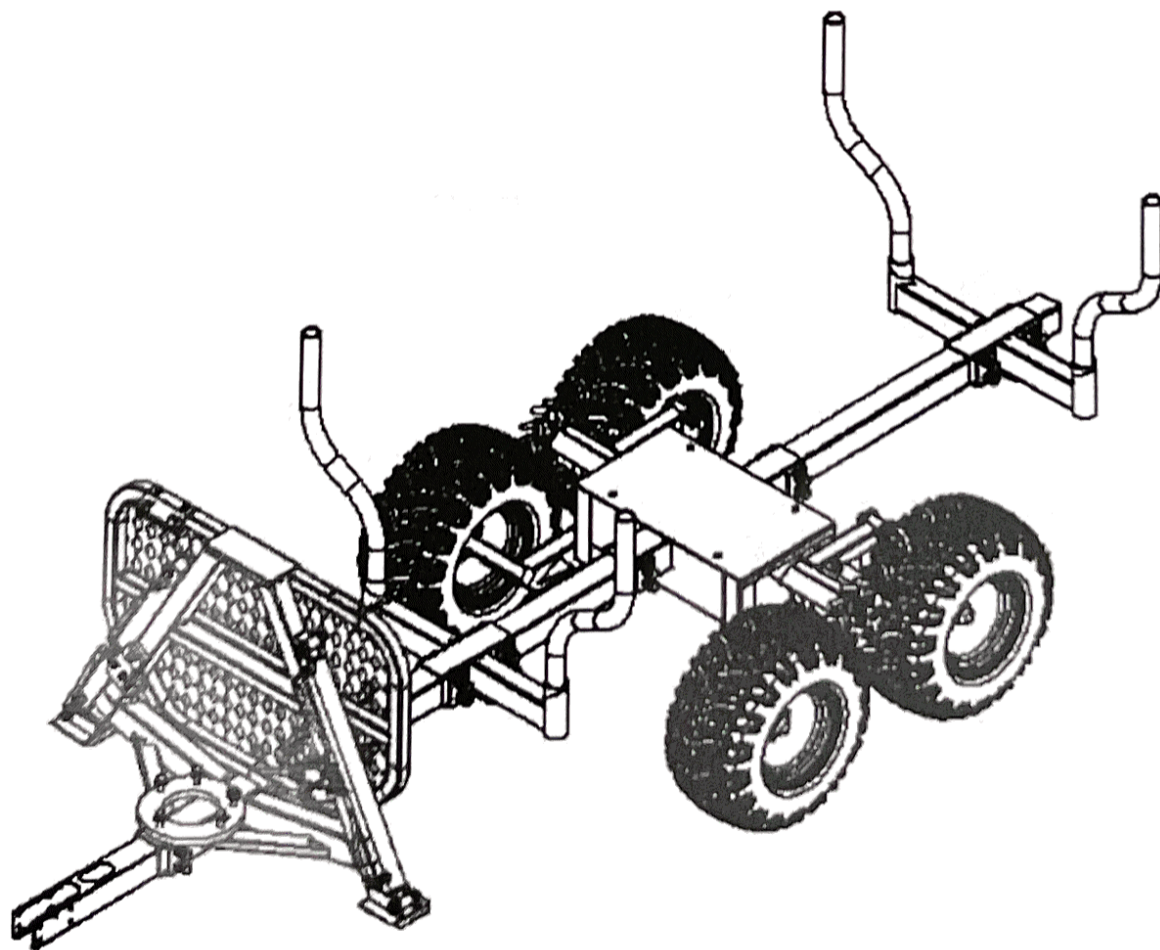
Step 2: Insert long tube



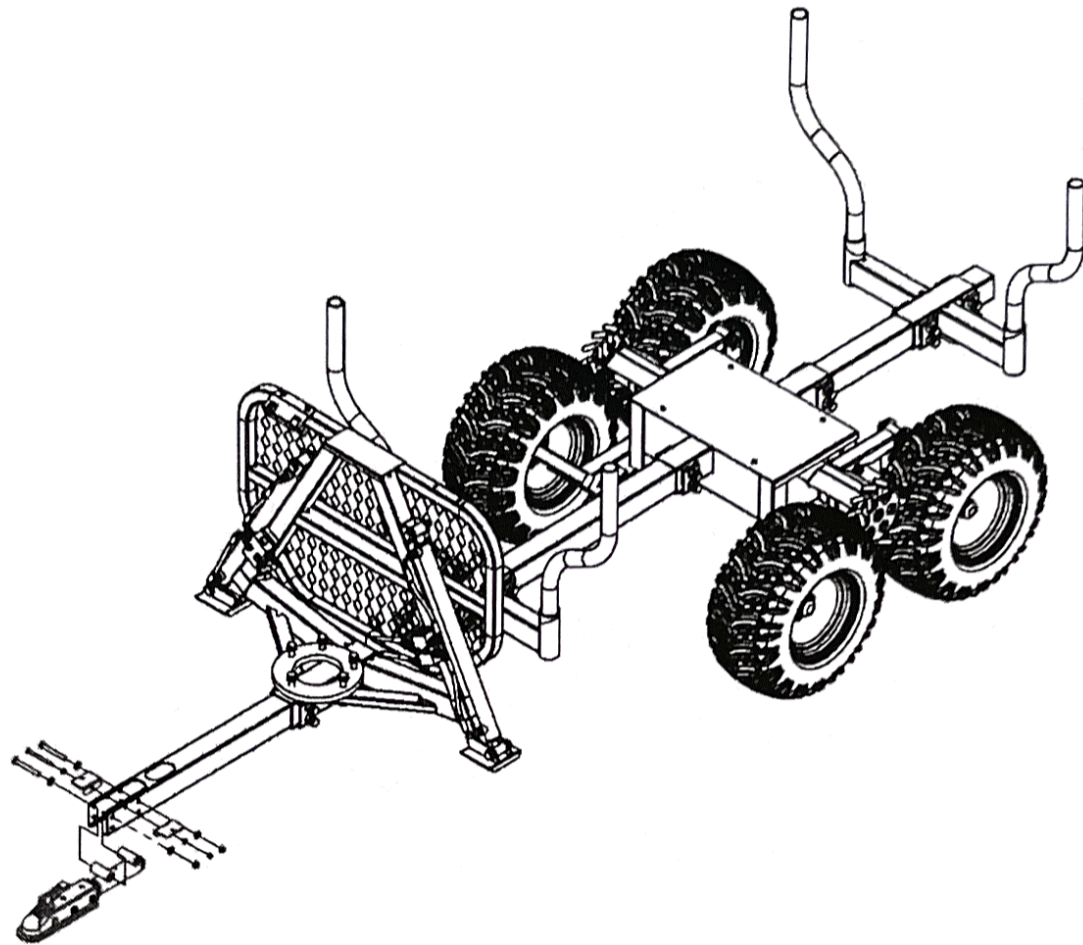
Step 3: Put on railings



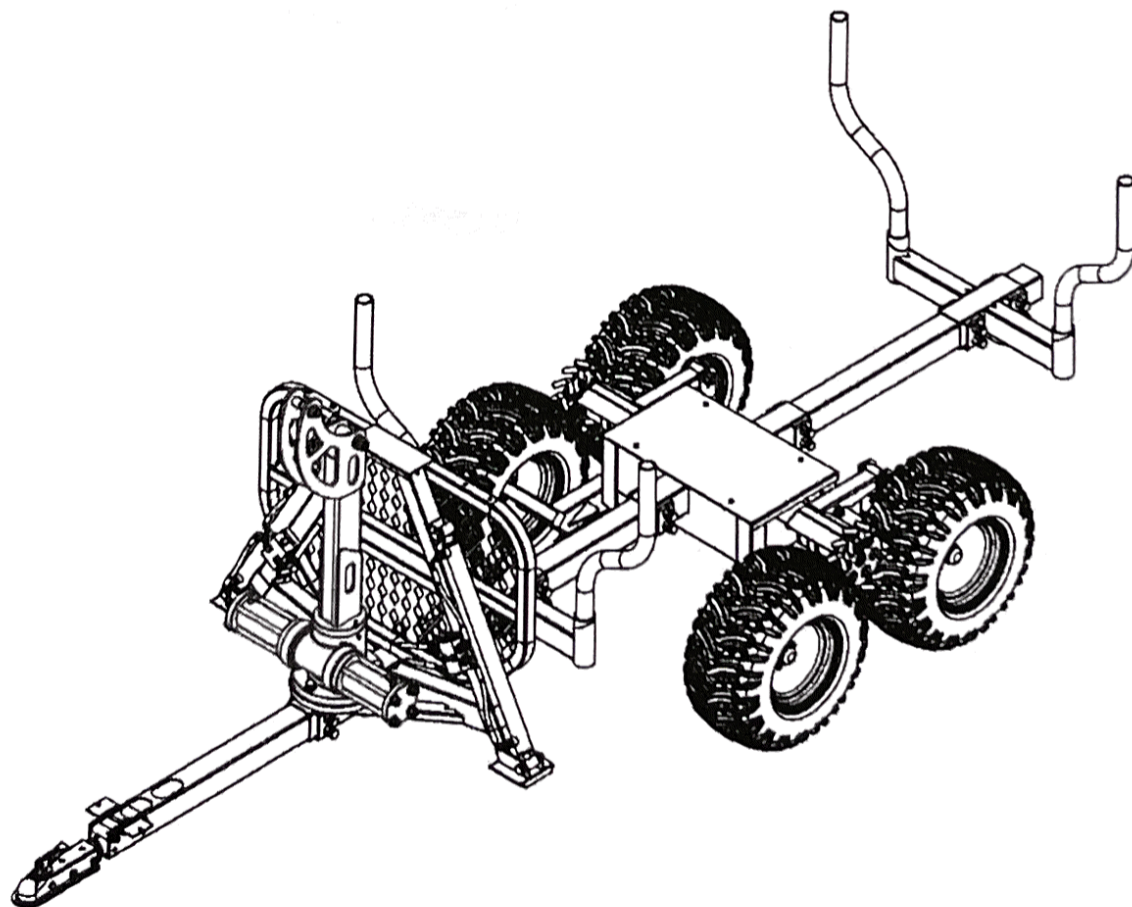
Step 4: Fix front net & supporting legs



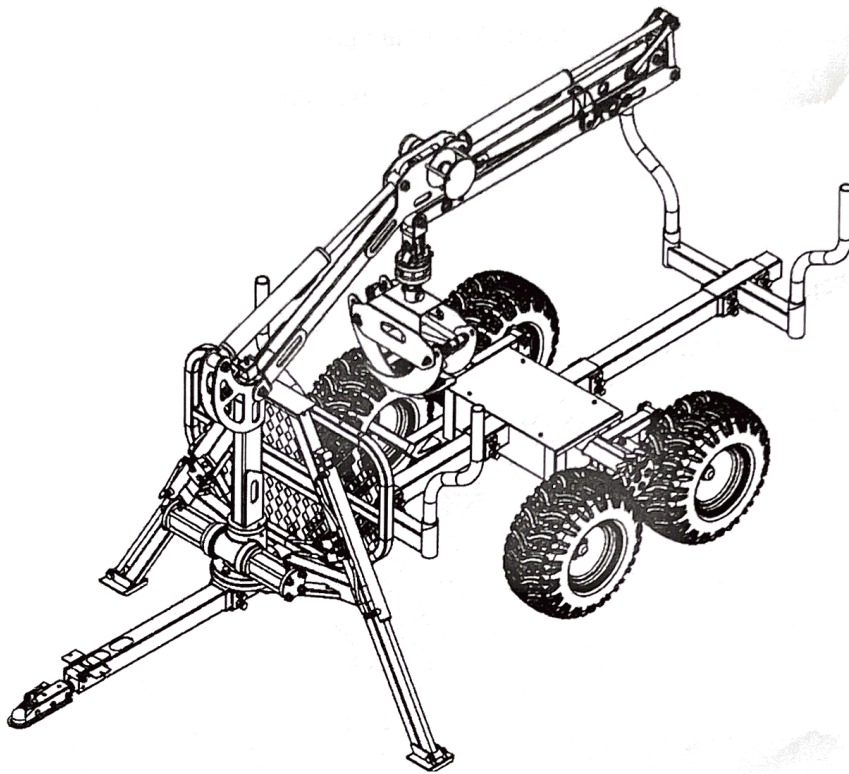
Step 5: Put on hook



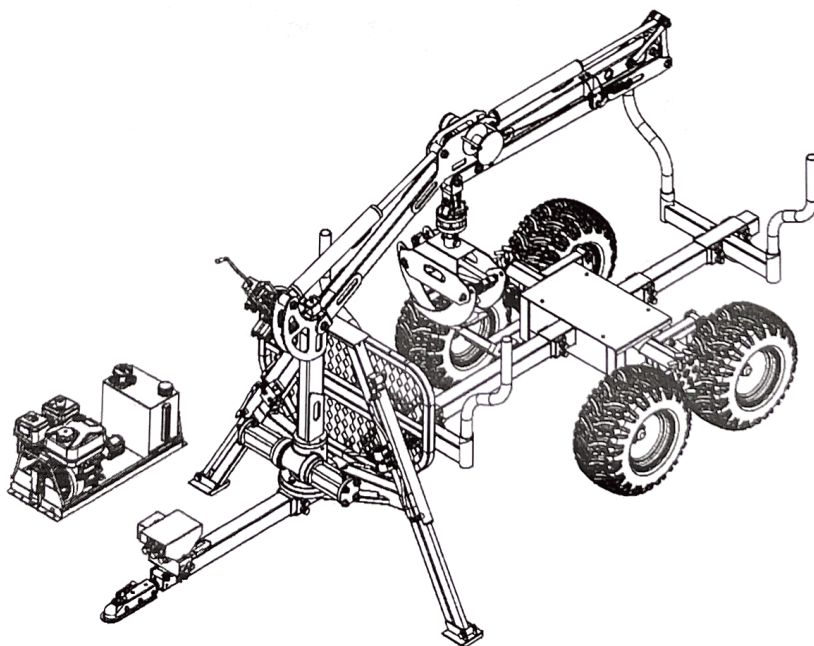
Step 6: Fixed support arm



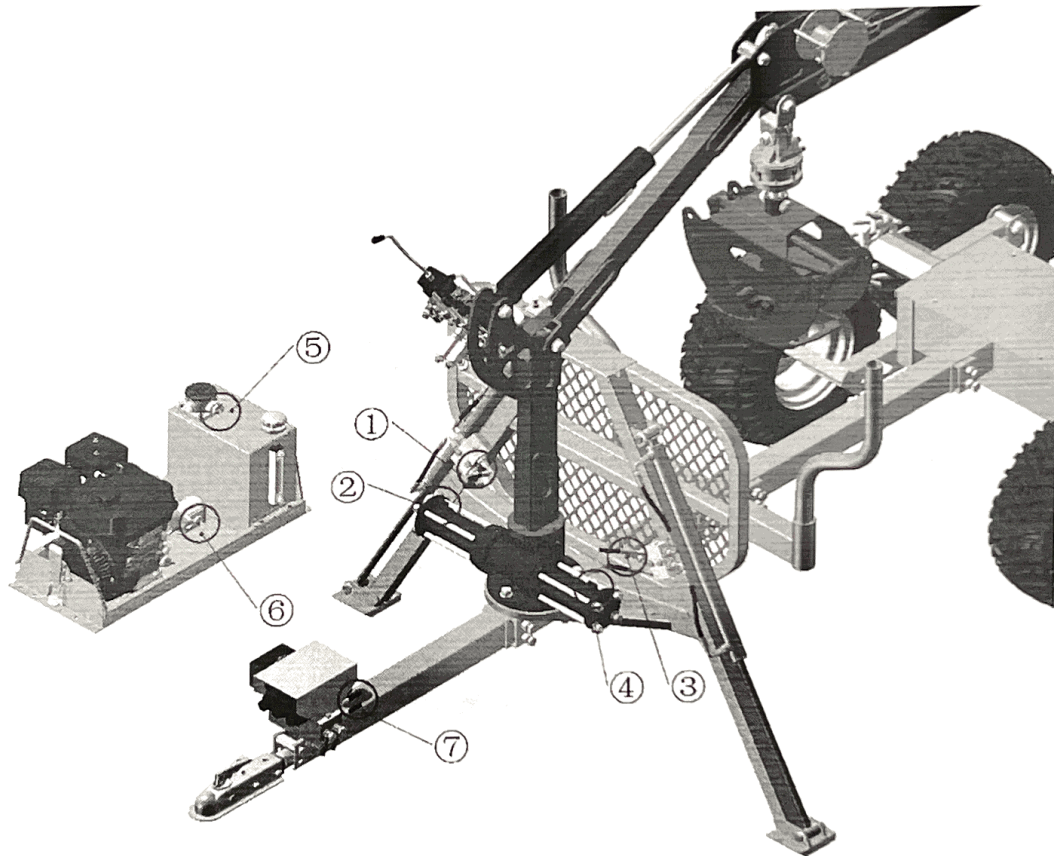
Step 7: Fix on beam cylinders on legs and valves



Step 8: Install power unit, multi-way control valve and solenoid valve in place.



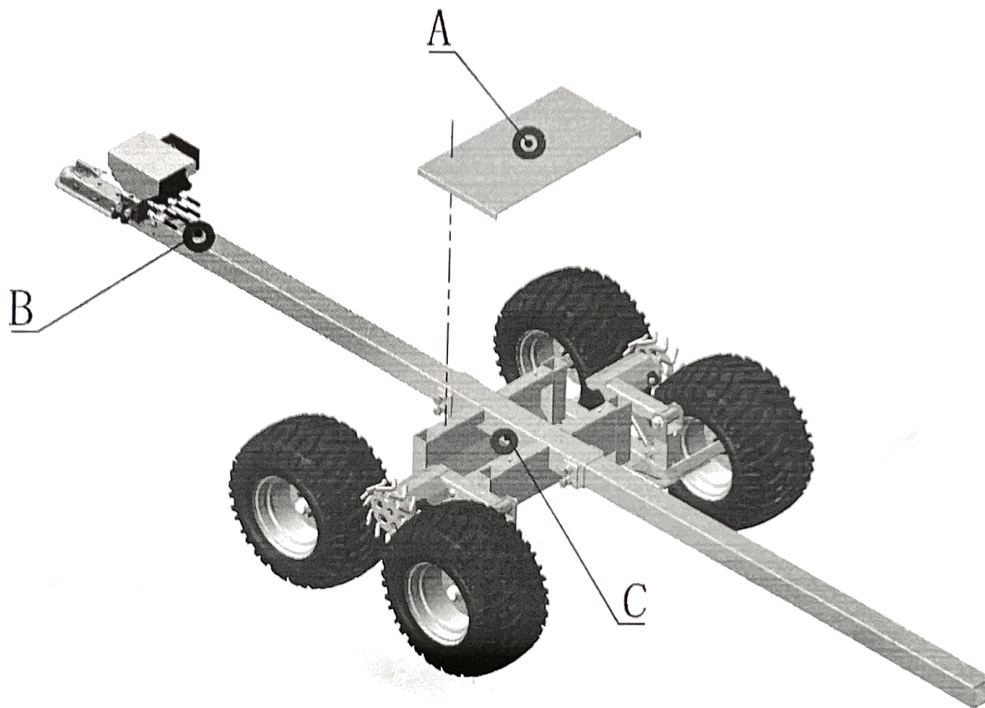
Step 9: As shown in the following figure, the silk heads at ①-⑦ all have letter numbers, corresponding to the letter numbers on the tubing connected together.



Crane 350-II 4x4 Wheel-Drive System

- Wheel-Drive Installation

- 1、 Open cap(A).
- 2、 Four pcs of oil pipes go through (C) to (B).
- 3、 Tighten four pcs of oil pipes.



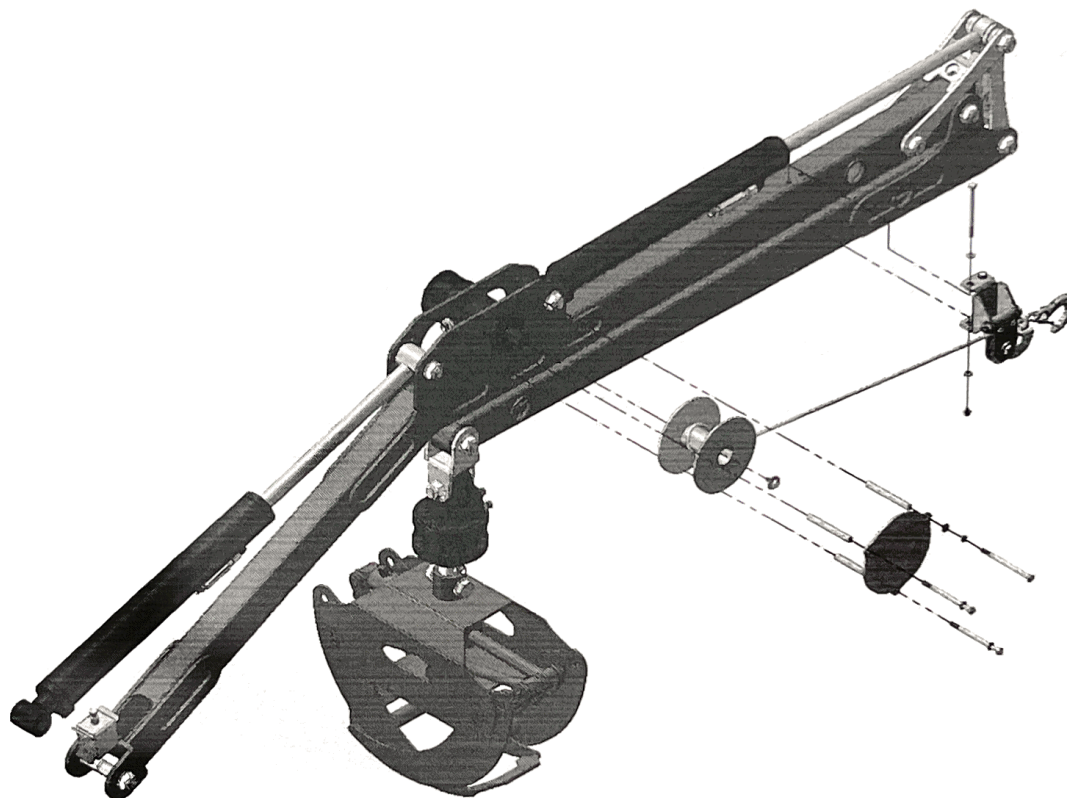
- Please read the following before applying wheel-drive system.

- 1、 Start the engine, the speed is over 70%.
- 2、 Push switch, driving wheel working (forward, back, join in or off).
- 3、 To ensure sufficient power in engine battery and remote control battery power will affect work of wheel-drive system.

⚠ When Use the system, non-stand in front and rear of crane.

Hydraulic Winch (Option)

Hydraulic Winch Spec.	Remote control: waterproof Remote control area: 30M Rated line pull: 800KG Speed: 10-25m/min
--------------------------	---



Application

- **Please check the following before applying for crane.**
 - 1、 Connecting axles and tablets are in proper positions, nuts are tightened.
 - 2、 Fill anti-wear hydraulic oil to two- thirds of oil level in fuel tank. (In cold area, pls use cold temperature resistant hydraulic.
 - 3、 Fill oil in the middle of dipstick. Fill gas in engine. Do not overflow.
 - 4、 Lay out hoses in proper position, screw up nuts.
- **Engine starting: (See engine instruction manual).**
- **General information about application.**

Drive smoothly and reduce loading until you can completely control cranes. Picking up

heavy weights far from side of trailers that will increase pressure to cranes, it shortens the lifting capacity of crane significantly.

Pressure of oil pump is about 12Mpar-14Mpar, Max. working pressure is 16Mpar not recommended to adjust pressure for a strong turn.

- **Warranty**

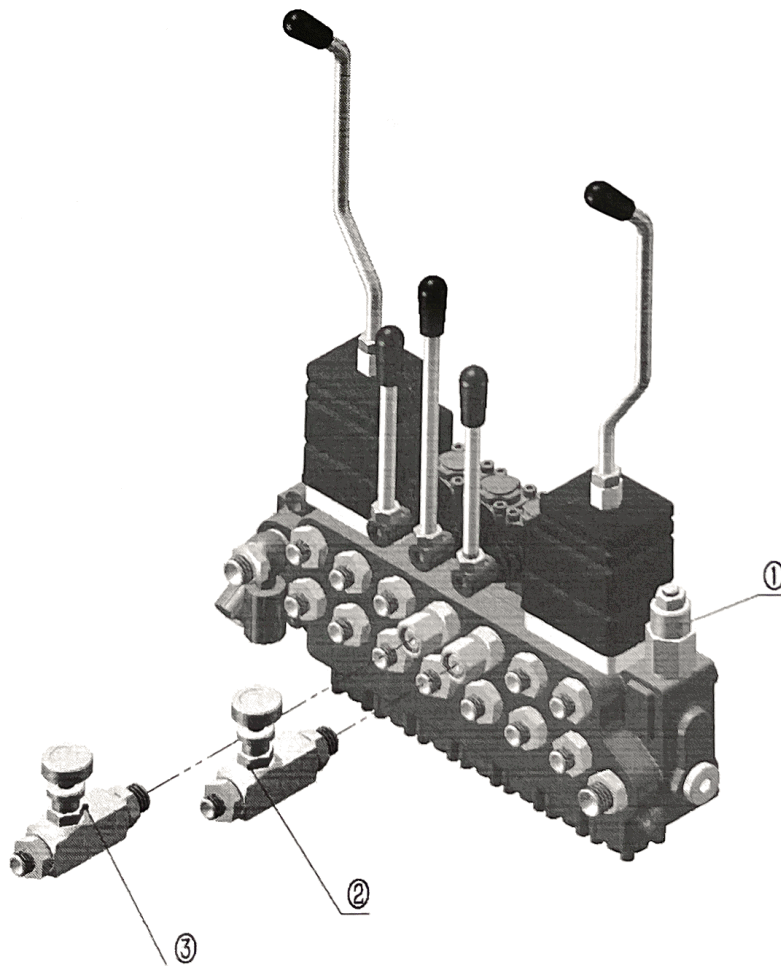
Warranty's period and coverage is set by importers, distributors and dealerships.

Warranty terms vary from places due to geographical settings.

Manufacturer does not respond for end user's warranty claim.

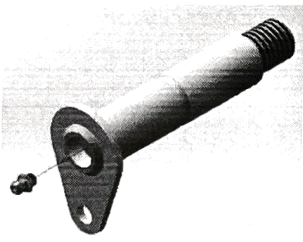
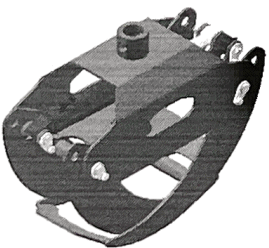
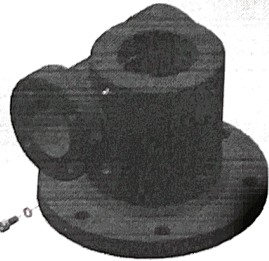
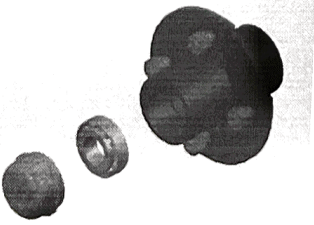
Multi-Control Valves

Crane hydraulic system consists of oil pump, multi-control valve relief valve balance valve, oscillating cylinder, orbital hydraulic motor, grapple rotator and seven pieces of linear cylinders. Multi-control valves arrays as following:



- 1、 Pressure of relief valve is 10Mpar-12Mpar. Please adjust relief valve or increase engine speed for compression to lift heavier weights.
Relief valve IS in right sight of multi-control valve. Take away the cap (①), Clockwise is adding to pressure, Anticlockwise is reducing pressure.
- 2、 In initial starting or in the long stopping status, there is air in hydraulic system, valves can't work accordingly. It will work well for a while when air IS out.
- 3、 Adjust the speed of rotation and descent of crane with throttle valve (②、③) .

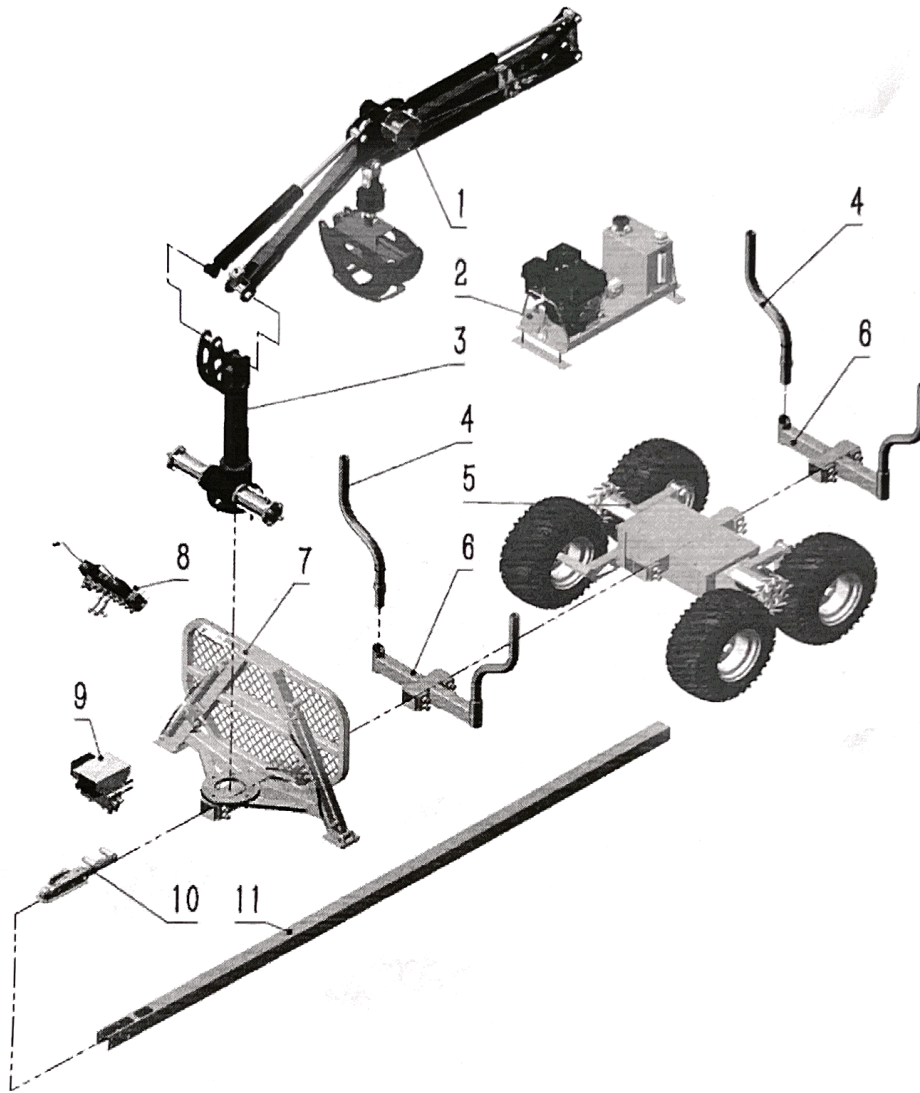
Service and Maintenance

Parts	Lubrication material	period
	Lithium Grease	Every 50 working hours
	Lithium Grease	Every 30 working hours
	Lubricants NO.20	Every 100 working hours
	Special Lithium-based	Every 12 months

Fault Diagnosis and Rule Out

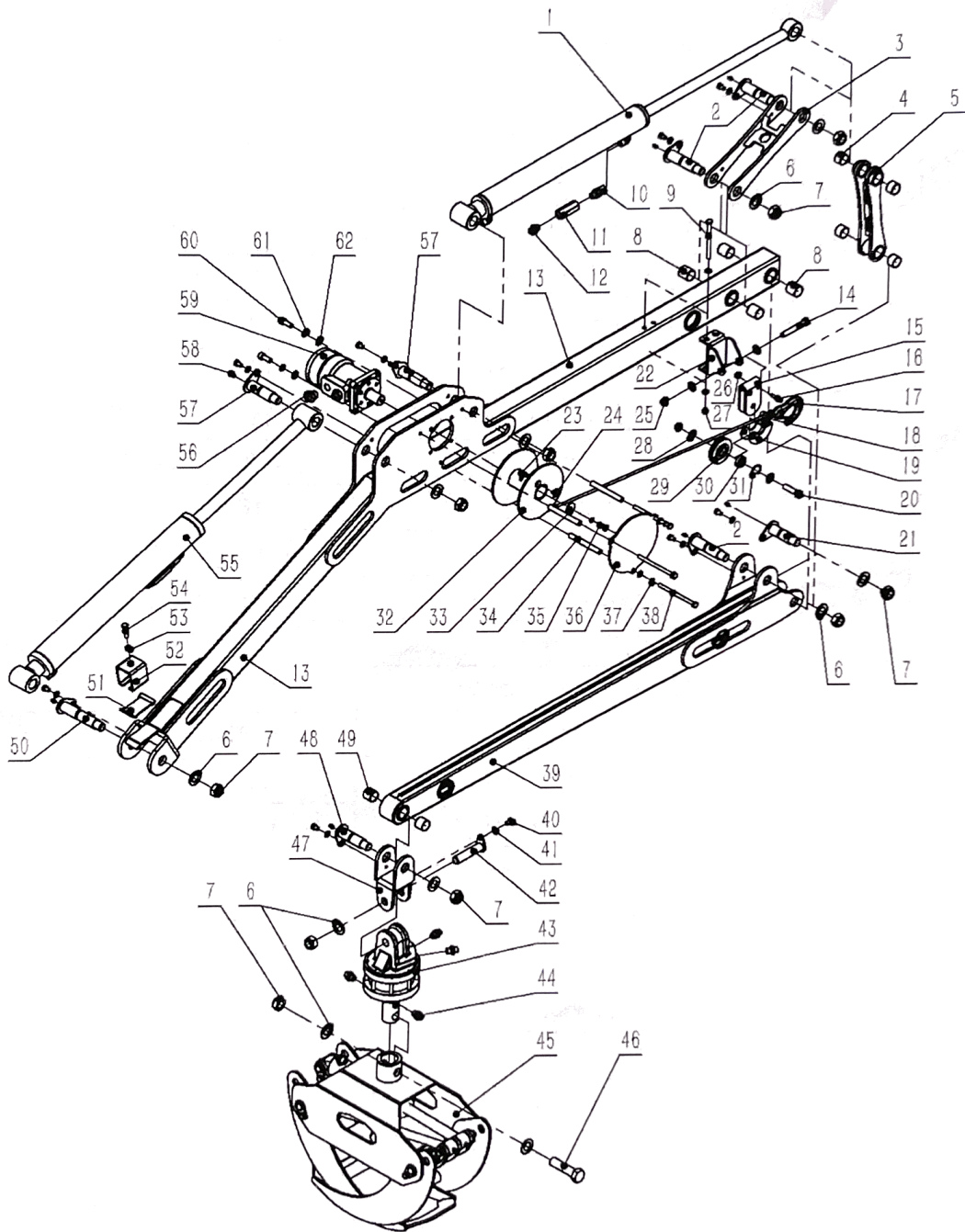
Phenomenon	Causes	Solutions
Oil pump voice anomaly	Air in cylinder	Move valves slightly to let air out
Boom lifts and declines automatically	Air in system	Tighten seal nuts in hoses
Crane can't lift weights	Too low pressure in relief valves	Regulating relief valves
Lift arm moves unstably	Short of hydraulic oil	Add more hydraulic oil
Engine flameout	Log overweight	Regulate engine speed or Lower pressure of relief valves
Interface leakage	Arc tooth seal deformed by temperature or plane seal damaged	Tighten nut or change plane seals

Exploded View



GENERAL ASSEMBLY			
NO.	Drawing No	Part name	Qty.
1	350-01	Crane	1
2	350-02	power unit	1
3	350-03	support frame	1
4	350-04	Railing	4
5	350-05	Trailer rear body	1
6	350-06	Rail seat	2
7	350-07	Trailer front body	1
8	350-08	Multi-Control Valves	1
9	350-09	Solenoid valve	1
10	350-010	Trailer head parts	1
11	350-011	Beam	1

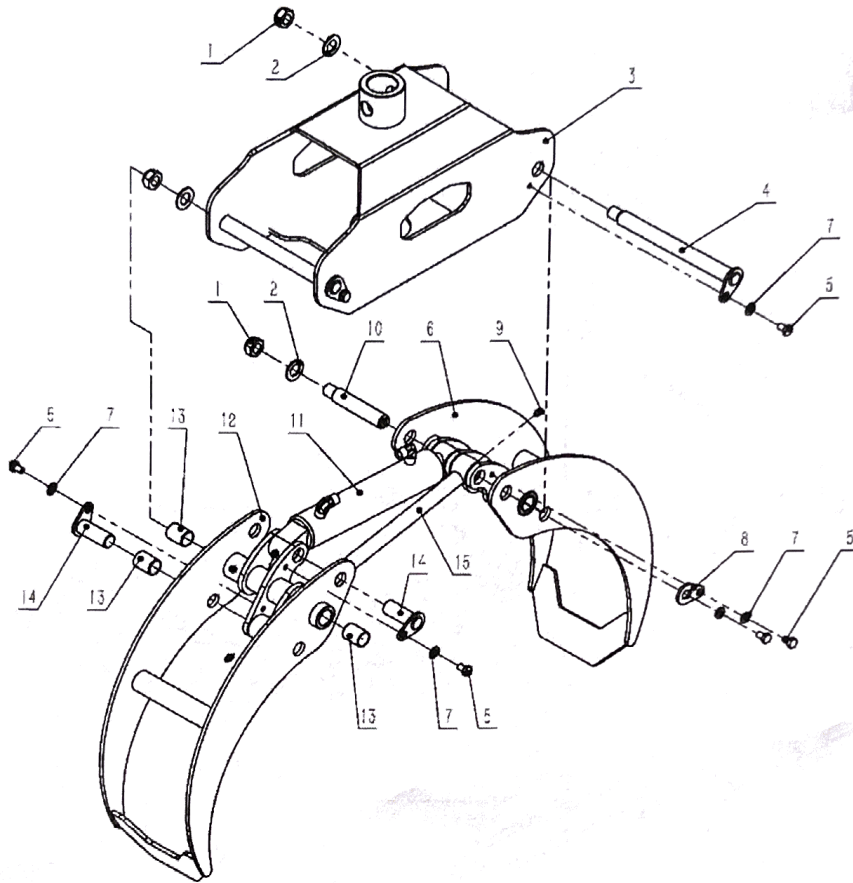
350-01 Crane



350-01 Crane			
NO.	Drawing No	Part name	Qty.
1	85 . 7115 . 852	Medium arm cylinder	1
2	31 . 7115 . 322	Connecting pin shaft welding I	3
3	31 . 7115 . 345	Medium arm cylinder support	1
4	61 . 7115 . 606	copper sheathing 252825	4
5	31 . 7115 . 325	Middle arm link	1
6	GB / T 97.1-2002	Flat mat 20	11
7	GB / T 889.1-2000	Self locking nut M20	10
8	61 . 7115 . 606	Copper sleeve 252825	4
9	GB / T 5782-2000	Hex bolt M8X105	2
10	76 . 7115 . 7640	M14X1.5-3/8 union	2
11	76 . 7130 . 769	Explosion proof valve	2
12	76 . 7115 . 7641	Straight joint M14-3/8	2
13	31 . 7115 . 311	Middle arm	1
14	GB / T 5782-2000	Hex bolt M12×75	1
15	21 . 7130 . 281	Pulley mounting plate	1
16	GB / T 5782-2000	Hex bolt M6X30	2
17	81 . 7130 . 802	Winch wire rope (hook)	1
18	GB / T 825-1988	Eyebolt M8	1
19	21 . 7130 . 280	Wire rope limit plate	1
20	GB / T 5783-2016	Hex bolt M12×45	1
21	31 . 7115 . 322	Shaft weldment II	1
22	21 . 7115 . 277	Pulley fixing seat	1
23	21 . 7130 . 278	Wirerope press plate	1
24	GB / T 70.3-2008	Hex countersunk screw M8×12	1
25	GB / T 889.1-2000	Self locking nut M12	2
26	GB / T 889.1-2000	Self locking nut M6	2
27	GB / T 889.1-2000	Self locking nut M8	3
28	GB / T 97.1-2002	Flat mat 12	4
29	11 . 7130 . 149	Pulley part	1
30	GB/T 276-2013	Ball bearing [6001-2RS]	1
31	GB / T 893-2017	Circlip for hole 28	1
32	31 . 7130 . 340	Winch weldment	1
33	GB / T 5287-2002	Extra large washer 8	1

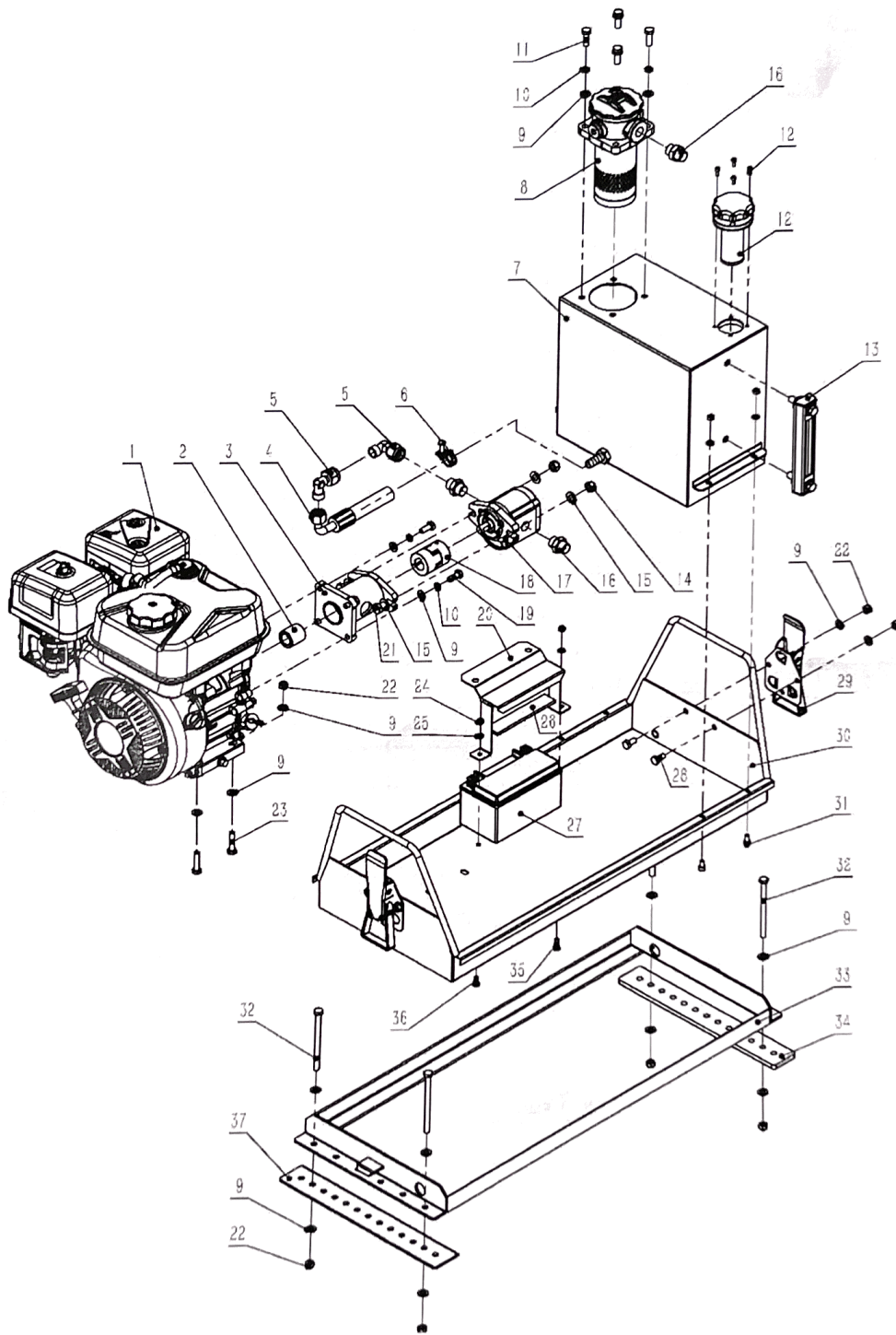
34	11 . 7130 . 151	Winch liner	3
35	GB / T 5783-2000	Hex bolt M8X20	1
36	21 . 7130 . 283	Winch guard	1
37	GB / T 93-1987	Spring washer 8	4
38	GB / T 5782-2000	Hex bolt M8X120	3
39	31 . 7115 . 313	Front arm	1
40	GB / T 5783-2000	Hex bolt M8X12	9
41	GB / T 97.1-2002	Flat mat 8	17
42	31 . 7130 . 332	Shaft for lifting part I	1
43	86 . 7130 . 861	Rotation motor	1
44	76 . 7130 . 7604	Straight joint M14	6
45	99 . 7125 . 901	Grappler	1
46	GB / T 5782-2000	Hex bolt M20×80	1
47	31 . 7115 . 330	Lifting part	1
48	31 . 7115 . 392	Shaft for lifting part III	1
49	61 . 7115 . 606	Copper sleeve 252825	2
50	31 . 7115 . 1102	Shaft for vertical arm II	1
51	21 . 7115 . 2702	Tube pressing plate	1
52	31 . 7115 . 2705	Fixed sleeve	1
53	GB / T 6170-2000	Hex nut M8	1
54	GB / T 5783-2000	Hex bolt M8X35	1
55	85 . 7115 . 851	Hydraulic cylinder	1
56	76 . 7130 . 7605	Straight joint M18-M14	2
57	31 . 7130 . 333	Shaft for lifting part II	2
58	JB / T 7940.1-1995	Force filling oil cup M6	8
59	86 . 101 . 863	Hydraulic motor for winch	1
60	GB / T 70.1-2008	Hex bolt M10X25	4
61	GB / T 859-1987	Spring washer 10	4
62	GB / T 97.1-2002	Flat mat 10	4

350-01-45 Grappler



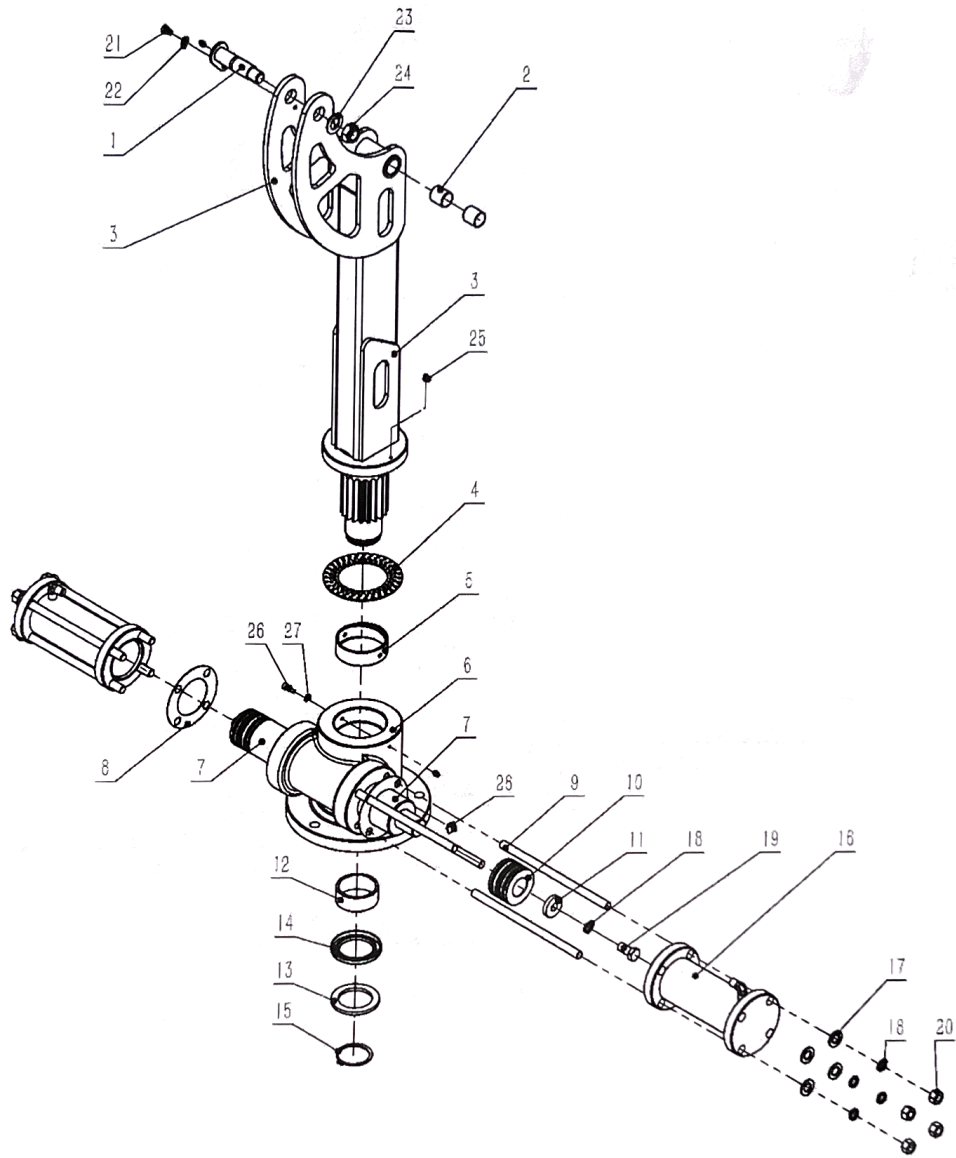
350-01-45 Grappler			
NO.	Drawing No	Part name	Qty.
1	GB / T 889.1-2000	Self locking nut M16	3
2	GB / T 97.1-2002	Flat mat 16	3
3	31 . 7125 . 325	Grab	1
4	31 . 7125 . 358	Shaft for grab	2
5	GB / T 5783-2000	Hex bolt M8X12	6
6	31 . 7115 . 334	Grab I	1
7	GB / T 97.1-2002	Flat mat 8	6
8	21 . 7125 . 262	Cylinder plate T	1
9	JB / T 7940.1-1995	Force filling oil cup M6	8
10	11 . 7125 . 159	Cylinder shaft II	1
11	85 . 7125 . 857	Hydraulic cylinder	1
12	31 . 7115 . 335	Grab II	1
13	61 . 7115 . 604	Copper sleeve 232025	6
14	31 . 7125 . 357	Cylinder shaft I	2
15	31 . 7125 . 356	Connecting rod	1

350-02 power unit



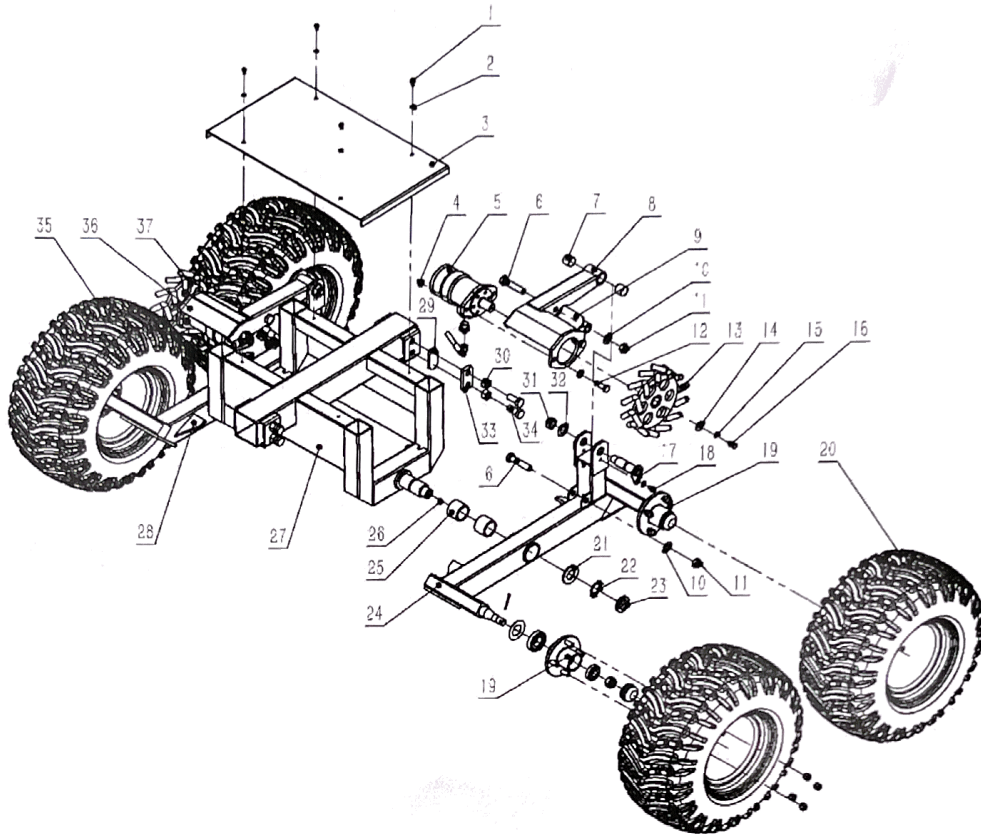
350-02 power unit			
NO.	Drawing No	Part name	Qty.
1	DH196CC	6.5HP gasoline engine (EPA)	1
2	11 . 7130 . 172	Crankshaft spacer	1
3	31 . 7125 . 346	Coupling shell	1
4	73 . 7115 . 7301	Tube /A	1
5	76 . 7115 . 7616	Right angle joint M18	2
6	QC / T 619-19100	Double wire clamp d22	1
7	31 . 7115 . 932	Oil tank	1
8	76 . 7115 . 769	Filter RFA-25	1
9	GB / T 97.1-2002	Flat mat 8	28
10	GB / T 93-1987	Spring washer 8	8
11	GB / T 5783-2000	Hex bolt M8×25	4
12	76 . 7115 . 768	Filter for oil inlet port	1
13	76 . 7130 . 760	Dipstick YWZ-150T	1
14	GB / T 889.1-2000	Self locking nut M10	2
15	GB / T 97.1-2002	Flat mat 10	4
16	76 . 7130 . 7602	Straight joint M18X1.5	3
17	86 . 7325 . 862	Pump CBD-F3.5	1
18	77 . 7115 . 771	Coupling 20-12-50	1
19	GB / T 5783-2000	Hex bolt M8X20	4
20	31 . 7115 . 931	Battery pressing plate	1
21	GB / T 5783-2000	Hex bolt M10×35	2
22	GB / T 889.1-2000	Self locking nut M8	12
23	GB / T 5783-2000	Hex bolt M8×35	4
24	GB / T 889.1-2000	Self locking nut M6	6
25	GB / T 97.1-2002	Flat mat 6	8
26	43 . 7115 . 432	Damping rubber strip	1
27	87 . 7115 . 877	battery	1
28	GB / T 5783-2000	Hex bolt M8X16	4
29	72 . 7115 . 721	Hasp	2
30	31 . 7115 . 997	Power units frame	1
31	GB / T 70.1-2008	Hex bolt M6×12	4
32	GB / T 5783-2000	Hex bolt M8×110	4
33	31 . 7115 . 355	Mounting plate for power units	1
34	21 . 7115 . 214	Fixing plate for power units I	1
35	GB / T 5783-2000	Hex bolt M6×16	1
36	GB / T 5783-2000	Hex bolt M6×12	1
37	21 . 7115 . 215	Fixing plate for power units II	1

350-03 support frame



350-03 support frame			
NO.	Drawing No	Part name	Qty.
1	31 . 7115 . 1101	Vertical arm shaft I	1
2	61 . 7115 . 606	Copper sleeve 252825	2
3	31 . 7115 . 312	Vertical arm	1
4	61 . 7130 . 603	Wear resistant support pad	1
5	61 . 7115 . 601	Copper sleeve 928530	1
6	63 . 7130 . 631	Bearing seat	1
7	11 . 7115 . 107	Drive rack shaft	1
8	48 . 7130 . 481	Cylinder seal	2
9	11 . 7130 . 199	Cylinder rod	8
10	85 . 7130 . 852	Cylinder piston	2
11	21 . 7130 . 2108	Cylinder piston seal	2
12	61 . 7115 . 602	Copper sleeve 726530	1
13	21 . 7130 . 224	flat gasket under gear shaft	1
14	TC	Seal 65x90x10	1
15	GB / T 894-2017	External Circlips 60	1
16	85 . 7130 . 851	Cylinder tube	2
17	GB / T 97.1-2002	Flat mat 14	8
18	GB / T 93-1987	Spring washer 14	10
19	GB / T 5783-2000	Hex bolt M14×30	2
20	GB / T 6170-2000	Hex nut M14	8
21	GB / T 5783-2000	Hex bolt M8X12	1
22	GB / T 97.1-2002	Flat mat 8	1
23	GB / T 97.1-2002	平垫 20	1
24	GB / T 889.1-2000	Hex locking nut M20	1
25	JB / T 7940.1-1995	Force filling oil cup M6	4
26	GB / T 70.1-2008	Hex bolt M6X20	1
27	GB / T 93-1987	Spring washer 6	1
28	JB / T 7940.1-1995	Force filling oil cup M14×1.5	1

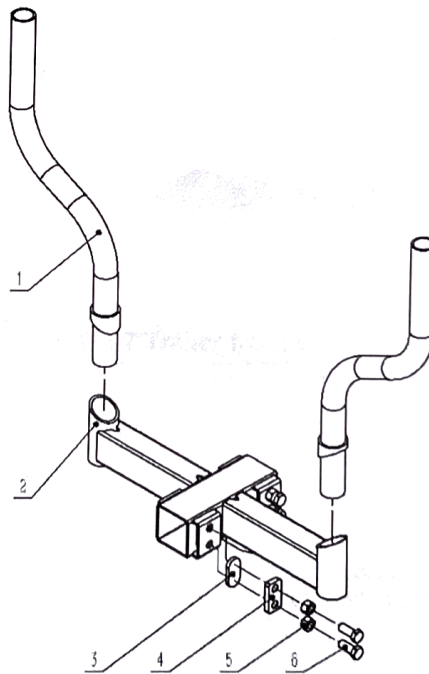
350-05 Trailer rear body



350-05 Trailer rear body			
NO.	Drawing No	Part name	Qty.
1	GB / T 5783-2000	Hex bolt M6X12	4
2	GB / T 97.1-2002	Flat mat 6	4
3	21 . 7115 . 211	Cover plate	1
4	GB / T 889.1-2000	Self locking nut M12	4
5	86 . 7115 . 863	Hydraulic motor	2
6	GB / T 5782-2000	Hex bolt M16×75	4
7	61 . 7115 . 606	Copper sleeve 252825	4
8	31 . 7115 . 347.2	swivel arm II	1
9	85 . 7115 . 854	Hydraulic cylinder	2
10	GB / T 97.1-2002	Flat mat 16	4
11	GB / T 889.1-2000	Self locking nut M16	4
12	GB / T 5782-2000	Hex bolt M12X35	4
13	31 . 7115 . 360	Drive wheel II	1
14	GB / T 5287-2002	Extra large washer 8	2
15	GB / T 93-1987	Spring washer 8	2
16	GB / T 5783-2000	Hex bolt M8X20	2
17	31 . 7130 . 333	Shaft II	2
18	GB / T 5783-2000	Hex bolt M8X12	2
19	99 . 7115 . 72	Flange on hub	4
20	45 . 7125 . 451	Tyre (right)	2

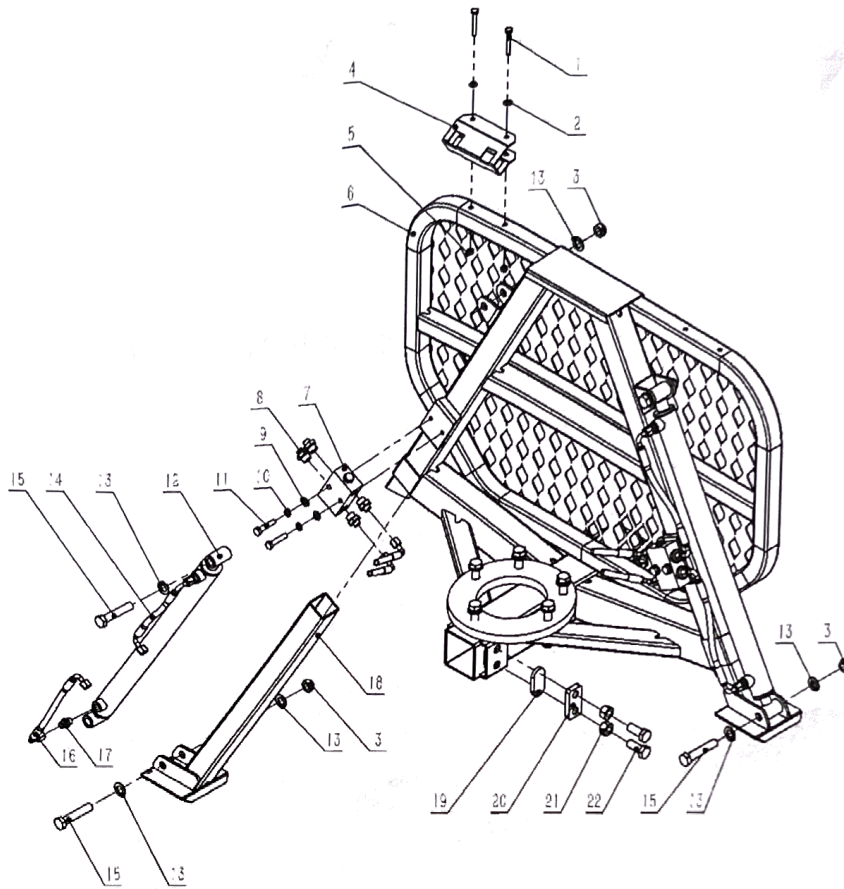
21	21 . 7125 . 2106	Shaft gasket	2
22	GB / T 858-1988	Stop washer 30	2
23	GB / T 812-1988	Round nut M30×1.5	2
24	31 . 7115 . 349.1	Wheel axle I	1
25	61 . 7115 . 605	Copper sleeve 405040	4
26	JB / T 7940.1-1995	Force filling oil cup	2
27	31 . 7115 . 352	Drive seat	1
28	31 . 7115 . 349.1	Wheel axle frame I	1
29	21 . 7115 . 2709	Positioning pressing plate	2
30	GB / T 6170-2000	Hex nut M16	4
31	GB / T 889.1-2000	Self locking nut M20	2
32	GB / T 97.1-2002	Flat mat 20	2
33	21 . 7115 . 2113	Tightening plate	2
34	GB / T 5782-2000	Hex bolt M16×40	4
35	45 . 7125 . 451	tyre (left)	2
36	31 . 7115 . 347.1	Swivel arm I	1
37	31 . 7125 . 350	Driven wheel I	1

350-06 Rail seat



350-06 Rail seat			
NO.	Drawing No	Part name	Qty.
1	31. 7115. 354	Limit tube weldment	2
2	31. 7115. 348	Inserting rod support	1
3	21. 7115. 2709	Positioning pressing plate	2
4	21. 7115. 2113	Tightening plate	2
5	GB / T 6170-2000	Hex nut M16	4
6	GB / T 5782-2000	Hex bolt M16×40	4

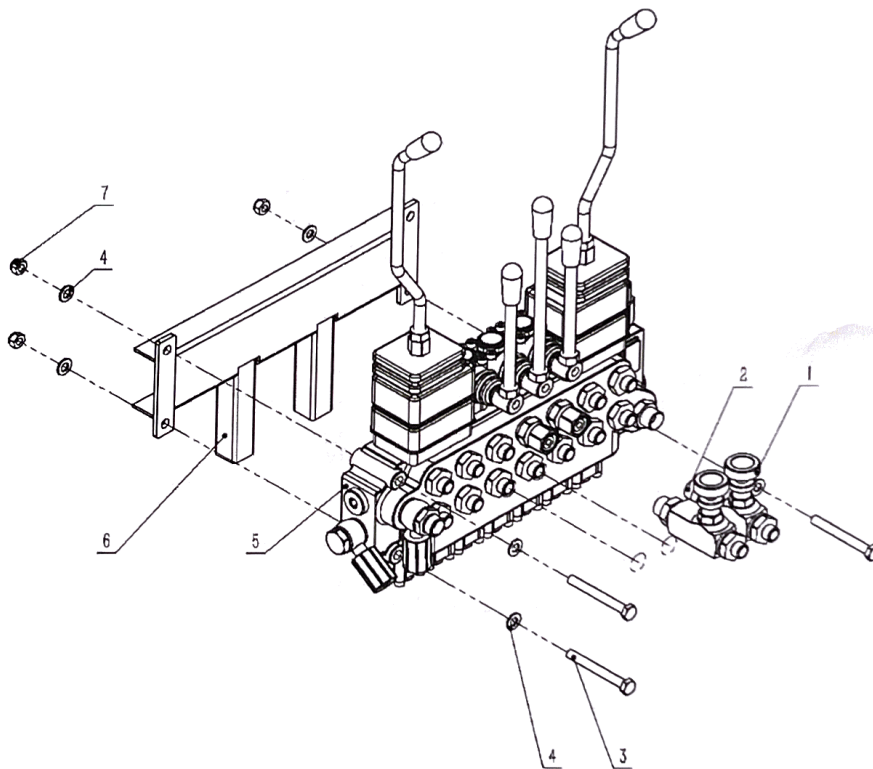
350-07 Trailer front body



350-07 Trailer front body			
NO.	Drawing No	Part name	Qty
1	GB / T 5782-2000	Hex bolt M8X55	2
2	GB / T 97.1-2002	Flat mat 8	2
3	GB / T 889.1-2000	Self locking nut M16	6
4	21 . 7115 . 2701	Valve mounting plate	1
5	GB / T 889.1-2000	Self locking nut M8	2
6	31 . 7115 . 317	Wire plate	1
7	76 . 7130 . 761	Hydrualic lock	2
8	76 . 7130 . 7605	Straight joint M18-M14	8
9	GB / T 97.1-2002	Flat mat 10	4
10	GB / T 859-1987	Spring washer 10	4
11	GB / T 5782-2000	Hex bolt M10X45	4
12	85 . 7115 . 853	Cylinder for support leg	2
13	GB / T 97.1-2002	Flat mat 16	15
14	73 . 7115 . 20.1	hose for support leg (short -1)	2
15	GB / T 5782-2000	Hex bolt M16×80	4

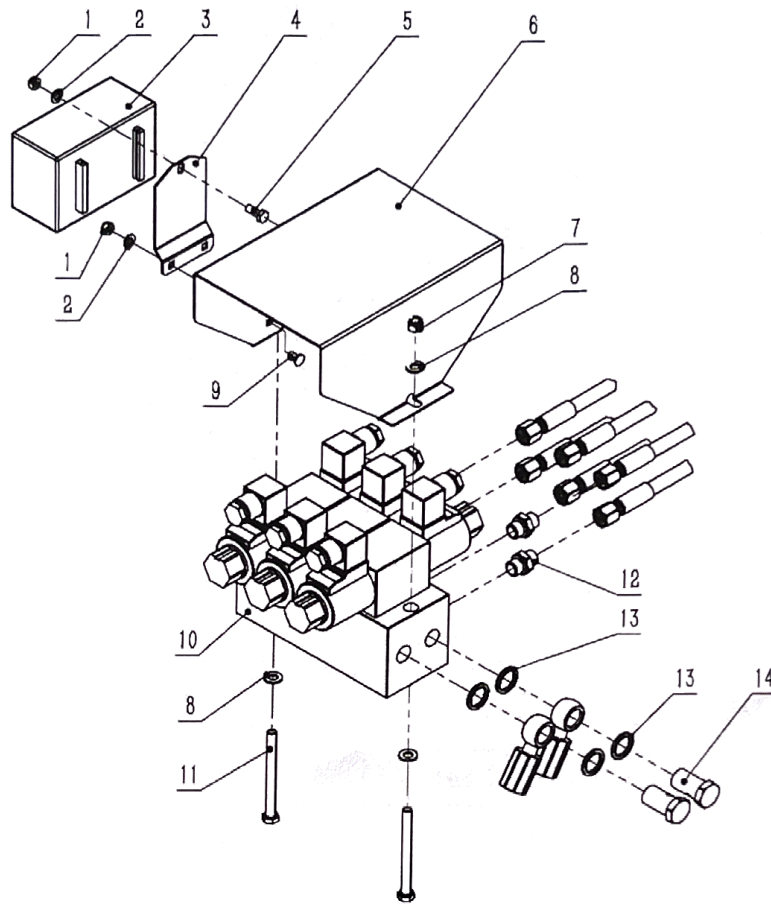
16	73 . 7115 . 20.2	hose for support leg (short -2)	2
17	76 . 7130 . 7604	Straight joint M14X1.5	4
18	31 . 7115 . 353	Inner tube	2
19	21 . 7115 . 2709	Positioning pressing plate	2
20	21 . 7115 . 2113	Tightening plate	2
21	GB / T 6170-2000	Hex nut M16	4
22	GB / T 5782-2000	Hex bolt M16×40	4

350-08 Multi-Control Valves



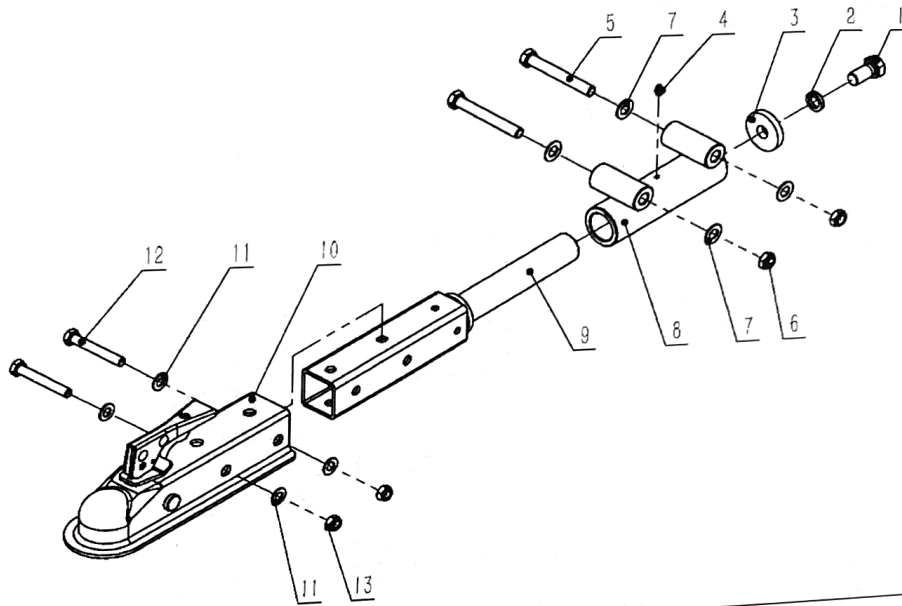
350-08 Multi-Control Valves			
NO.	Drawing No	Part name	Qty
1	L-8HL	Throttle valve (two ways)	1
2	L(A)-8HL	Throttle valve (one way)	1
3	GB / T 5782-2000	Hex bolt M8X70	3
4	GB / T 97.1-2002	Flat mat8	6
5	76 . 7115 . 7618	7ways valve	1
6	31 . 7115 . 350	Valve mounting seat	1
7	GB / T 889.1-2000	Self locking nut M8	3

350-09 Solenoid valve

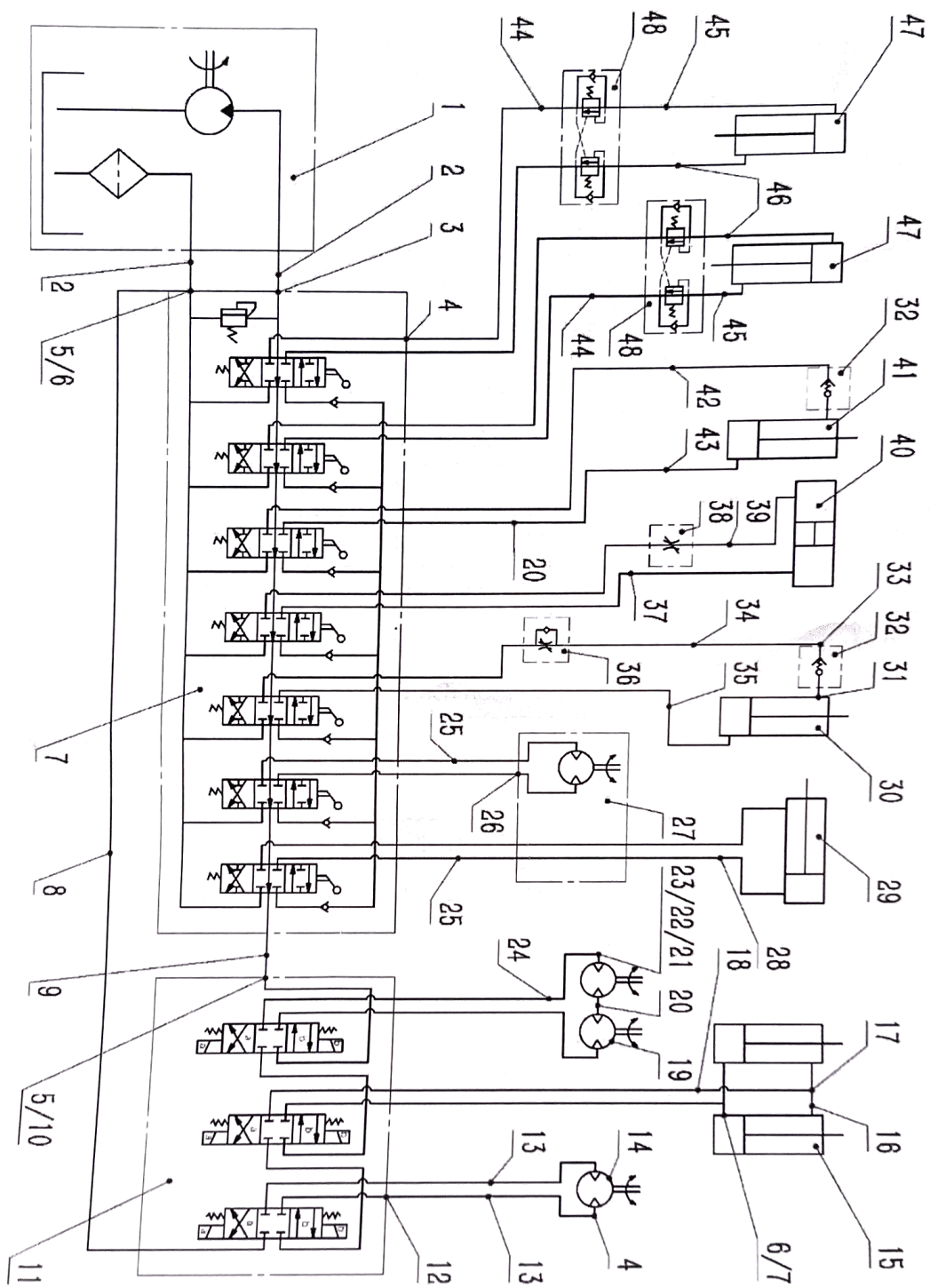


350-09 Solenoid valve			
NO.	Drawing No	Part name	Qty
1	GB / T 889.1-2000	Self locking nut M6	3
2	GB / T 97.1-2002	Flat mat 6	3
3	46 . 7130 . 461	Remote control receiver	1
4	21 . 7115 . 295	Receiver fixing plate	2
5	GB / T 5783-2000	Hex bolt M6×16	1
6	21 . 7115 . 2128	Solenoid valve shield	1
7	GB / T 889.1-2000	Self locking nut M8	2
8	GB / T 97.1-2002	Flat mat 8	4
9	GB / T 12-1988	bolt M6X12	2
10	76 . 7115 . 7619	Solenoid valve	1
11	GB / T 5782-2000	Hex bolt M8X90	2
12	76 . 7130 . 7604	Straight joint M14	6
13	JB982-77	Combined seal 18	4
14	76 . 7130 . 7612	Bolt M14X1.5	2

350-10 Trailer head parts



350-10 Trailer head parts			
NO.	Drawing No	Part name	Qty
1	GB / T 5783-2016	Hex bolt M16×30	1
2	GB / T 93-1987	Spring washer 16	1
3	21 . 7130 . 284	Towing bar washer	1
4	JB / T 7940.1-1995	Force filling oil cup	1
5	GB / T 5782-2000	Hex bolt M12X95	2
6	GB / T 889.1-2000	Self locking nut M12	2
7	GB / T 97.1-2002	Flat mat 12	4
8	31 . 7115 . 351	Towing bar sleeve	1
9	31 . 7130 . 343	Towing bar	1
10	72 . 350 . 721	Coupling	1
11	GB / T 97.1-2002	Flat mat 10	4
12	GB / T 5783-2000	Hex bolt M10X70	2
13	GB / T 889.1-2000	Self locking nut M10	2



Hydraulic pack

NO.	Drawing No	Part name	Qty
1	350-02	Power unit	1
2	73 . 7115 . 450	Oil outlet pipe	2
3	76 . 7130 . 7602	Straight joint M18X1.5	1
4	76 . 7130 . 7605	Straight joint M14X1.5-18X1.5	14
5	JB982-77	Combination pad 18	8
6	76 . 7115 . 7639	Long bolt M18X1.5	1
7	76 . 7115 . 7618	7ways valve	1
8	73 . 7115 . 160.1	Valve tube 1	1
9	73 . 7115 . 160.2	Valve tube 2	1
10	76 . 7325 . 7638	Hinge bolt M18X1.5	3
11	76 . 7115 . 7619	Solenoid valve	1
12	76 . 7130 . 7604	Straight joint M14X1.5	6
13	73 . 7115 . 330	Winch hose	2
14	86 . 101 . 863	Winch motor	1
15	85 . 7115 . 854	Cylinder for driven wheel	2
16	73 . 7115 . 46	Cylinder hose	4
17	76 . 7115 . 7642	Male tee M14X1.5	2
18	73 . 7115 . 350	Cylinder hose (long)	2
19	86 . 7115 . 863	Driven wheel motor	2
20	73 . 7115 . 95	Motor hose	1
21	76 . 7115 . 7643	Joint G1 / 2 male-G1 / 4 female	4
22	JB982-77	Combination pad G1/4	4
23	76 . 7115 . 7644	Hinge bolt G1/4	4
24	73 . 7115 . 386	Motor hose (long)	2
25	73 . 7115 . 620	Grab hose (long)	2
26	76 . 7115 . 7645	Straight joint M14X1.5-G1 / 4	6
27	86 . 7130 . 861	Rotary motor	1

28	73 . 7115 . 46	cylinder hose for grab	2
29	85 . 7125 . 857	Cylinder for grab	1
30	85 . 7115 . 851	Cylinder for vertical arm	1
31	76 . 7115 . 7640	M14X1.5-3/8 joint	2
32	76 . 7130 . 769	Explosion proof valve	2
33	76 . 7115 . 7641	Straight joint M14-3/8	2
34	73 . 7115 . 267	Hose for vertical arm (long)	1
35	73 . 7115 . 246	Hose for vertical arm (short)	1
36	L(A)-8HL	throttle valve (one way)	1
37	73 . 7115 . 202	Revolve hose (long)	1
38	L-8HL	throttle valve (two ways)	1
39	73 . 7115 . 193	Revolve hose (short)	1
40	85 . 7130 . 851	Cylinder for revolve arm	1
41	85 . 7115 . 852	Cylinder for middle arm	1
42	73 . 7115 . 407	Hose for middle arm (long)	1
43	73 . 7115 . 370	Hose for middle arm (short)	1
44	73 . 7115 . 216	Hose for support leg (long)	4
45	73 . 7115 . 20.1	Hose for support leg (short-1)	2
46	73 . 7115 . 20.2	Hose for support leg (short-2)	2
47	85 . 7115 . 853	Cylinder for support leg	2
48	76 . 7130 . 761	Hydraulic lock	2